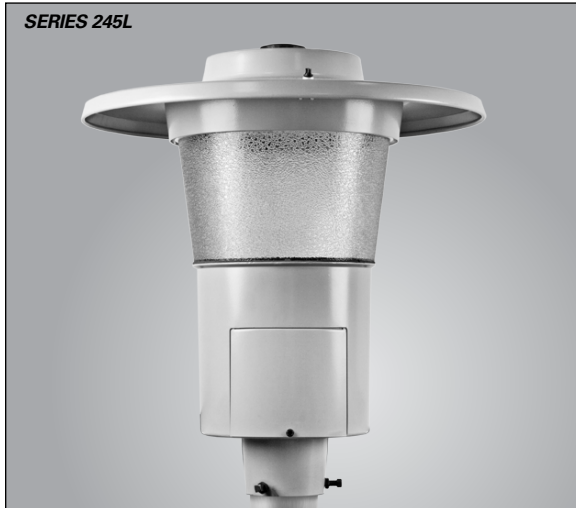




# Contempo LED Series 245L

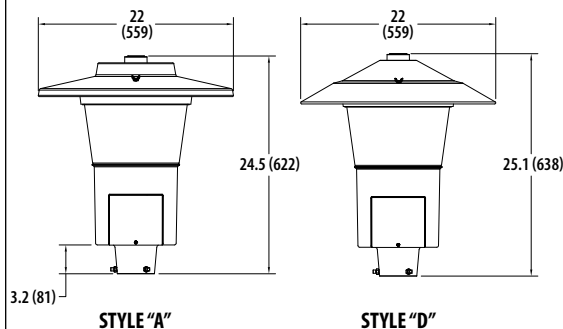
## PRODUCT OVERVIEW



### Applications:

Roadways	Pathways
Streetscapes	Parks
Walkways	

### DIMENSIONS



#### Effective Projected Area (EPA)

The EPA for the Contempo Series 245 is 1.3 sq. ft.  
 Fixture weight = 22lbs.  
 Shown without Decorative Scroll (DD) option. Reference page 3 for detail on Decorative Scroll.

### STANDARDS

Rated from -40°C up to 40°C ambient  
 CSA Certified to U.S. and Canadian standards  
 Complies with all applicable ANSI C136 standards

#### Government Procurement

**BAA** – Buy America(n) Act: Product with the BAA option qualifies as a domestic end product under the Buy American Act as implemented in the FAR and DFARS. Product with the BAA option also qualifies as manufactured in the United States under DOT Buy America regulations.  
**BABA** – Build America Buy America: Product with the BAA option also qualifies as produced in the United States under the definitions of the Build America, Buy America Act.

Please refer to [www.acuitybrands.com/resources/buy-american](http://www.acuitybrands.com/resources/buy-american) for additional information.

Contempo Series 245L LED

### Features:

#### OPTICAL

Producing between 2,100-10,200 lumens, the 245L family replaces up to 250W HID luminaires with optimal performance and visual comfort in a variety of applications.

Silicone optics provide superior optical efficiency, thermal performance, and reduction in dirt accumulation, all of which can lead to long term lumen degradation and a shift in optical distribution.

IP66 proven workhorse LED light engine in 15 different output packages.

Available in color temperature choices of 2700K, 3000K and 4000K, all at a 70 CRI minimum

Silicone optics provide crisp, well defined lighting distributions in three (3) distinct light distribution options; Type II, Type III, and Type V.

Five (5) different lens-optics include prismatic and rain pattern reflectors in your choice of acrylic, glass or polycarbonate material.

#### ELECTRICAL

LED light engines are rated >100,000 hours at 25°C, L70. Electronic driver has an expected life of 100,000 hours at a 25°C ambient.

Saves an expected of 40-60% over comparable HID luminaires.

Two different surge protection options provide a minimum of ANSI C136.2 10kV/5kA (standard) or 20kV/10kA protection.

Luminaire available with either a 0-10v dimmable driver or DALI D4i driver. Luminaire is continuous and step dimming capable via AO option or other installed controls.

XVOLT tank driver option for protection against dropped neutrals and other power quality issues.

#### MECHANICAL

Die-cast aluminum housing, engineered for sturdy lifelong performance complete with spun aluminum hood featuring a latching system with captive screw for fast and simple electrical and optical chamber access.

Available in multiple hood styles and a decorative scroll option.

Standard paint finish is smooth semi-gloss.

Multiple heavy-duty gaskets seal the optical chamber from outdoor weather and provide full illumination performance.

Housing is tenon pole-mounted and designed for use with a 3" tall by 2-3/8" to 3" diameter tenon, and secured by three set screws

#### CONTROLS

The Acuity designed ANSI 7-pin receptacle is available, which supports traditional locking style photocontrols such as the Extreme long-life solid-state locking style photocontrol - PCLL (20 year rated life).

Optional onboard Adjustable Output module allows the light output and input wattage to be modified to meet site specific requirements, and also can allow a single fixture to be flexibly applied in many different applications.

The DC Connect option is a factory embedded low voltage dusk to dawn photocontrol that increases longevity vs. line voltage controls and also eliminates the need to separately inventory controls.

The Local Connect option provides a simple means to collect luminaire attribute data, asset location information and execute point-to-point on/off/dim commands via secure Bluetooth link using smartphone platforms.

Cell Connect is an embedded network photocontrol with cellular communication. It provides digital switching, precise dimming, and revenue grade metrology. Cell Connect leverage D4i drivers to communicate real-time data to UbiVu, a cloud-based asset management system.

Additionally, it can be equipped with sensor-ready technology to support Zhaga standard sensors enabling smart city solutions utilizing long range network nodes to enable remote monitoring and control.

# Contempo LED

## Series 245L

### ORDERING INFORMATION

<b>Series</b>	<b>Performance Package</b>						<b>Voltage</b>
<b>245L</b> Contempo LED	<b>Package</b>	<b>Input Watts</b>	<b>Lumens (nominal)</b>	<b>Package</b>	<b>Input Watts</b>	<b>Lumens (nominal)</b>	<b>MOVOLT</b> 120-277V
	<b>P101</b>	20	2,200	<b>P201</b>	70	7,000	<b>HVOLT</b> 347-480V
	<b>P102</b>	30	3,000	<b>P202</b>	80	7,700	<b>XVOLT</b> 277-480V with enhanced power quality protection
	<b>P103</b>	40	3,900	<b>P300</b>	41	4,600	<b>SOLAR</b> Solar powered system ready <sup>1</sup>
	<b>P104</b>	49	4,600	<b>P301</b>	60	6,700	
	<b>P151</b>	30	3,400	<b>P302</b>	70	7,400	
	<b>P152</b>	40	4,100	<b>P303</b>	80	8,200	
	<b>P153</b>	50	5,000				
	<b>P154</b>	60	5,700				
	<b>P155</b>	70	6,500				

<b>Driver</b>	<b>Color Temperature (CCT)</b>	<b>Distribution</b>	<b>Optics</b>	<b>Paint (smooth semi-gloss)</b>
<b>ZT</b> 0-10V dimmable driver <b>D4I</b> D4I driver	<b>27K</b> 2700K <b>30K</b> 3000K <b>40K</b> 4000K	<b>R2</b> Type II <b>R3</b> Type III <b>R5</b> Type V	<b>RNA</b> Rain Pattern Acrylic <b>RNP</b> Rain Pattern Polycarbonate <b>GL</b> Glass <b>AY</b> Acrylic <b>PY</b> Polycarbonate	<b>BK</b> Black <b>GY</b> Gray <b>DDB</b> Dark Bronze <b>WH</b> White <b>BZ</b> Bronze

<b>Hood Style</b>	<b>Top Receptacle</b>	<b>Twist-Lock Photocontrols</b>	<b>Embedded Controls</b>
<b>SA</b> Style A <b>SD</b> Style D	<b>NTR</b> No Top receptacle <b>PR3</b> 3 Pin NEMA receptacle <b>PR7</b> 7 pin NEMA receptacle <b>ZRT</b> Zhaga receptacle top	<b>PCLL</b> Solid State Long Life Photocontrol, 120-277V (fail off) <b>PCSS</b> Solid State Photocontrol 120-277V (fail on) (Not CSA Listed) <b>P34</b> Solid State Long Life Photocontrol, 347V (fail off) <b>P48</b> Solid State Long Life Photocontrol, 480V (fail off) <b>SH</b> Shorting cap <b>DZP</b> DTL DZP DC Zhaga Photocontrol	<b>ALCB</b> Local Connect Basic <b>ALCC</b> Local Connect Custom <b>ALCF</b> Local Connect Full <b>DDC</b> DC Connect Photocontrol <b>UBC</b> Cell Connect

### Miscellaneous Options

<b>XL</b> Not CSA Listed (no terminal block cover)	<b>DD</b> Decorative Scroll	<b>Prewired leads</b>	<b>Accessories (ship separately):</b>
<b>AO</b> Field Adjustable Output module	<b>CR</b> Epoxy Pre-Coat Finish	<b>L1H</b> 1.5 ft. prewire leads	<b>Field installable House Side Shields:</b>
<b>SS</b> Stainless Steel hardware	<b>20kV</b> 20kV/10kA surge protection device	<b>L03</b> 3 ft. prewire leads	<b>RK3245LHSSWH 90DEGREES</b> 90-degree internal full refractor house side shield, white
<b>TL</b> Tool-less trigger latch entry	<b>BAA</b> Buy America(n) Act and/or Build America Buy America Qualified	<b>L10</b> 10 ft. prewire leads	<b>RK3245LHSSWH 120DEGREES</b> 120-degree internal full refractor house side shield, white
<b>NL1X1</b> 1" x 1" NEMA label	<b>HSS</b> Factory Installed Louvered HSS	<b>L20</b> 20 ft. prewire leads	
<b>NL2X2</b> 2" x 2" NEMA label		<b>L25</b> 25 ft. prewire leads	
		<b>L30</b> 30 ft. prewire leads	
		<b>Special Packaging</b>	<b>Note:</b>
		<b>JP</b> Job pack style A hood, 728 units per trailer	Check the OPTIONS MATRIX on page 3 for compatibility and restrictions.
		<b>JPD</b> Job pack style D hood, 624 units per trailer	1. Available in P101-P202 performance packages. Contact factory to configure.



AEL Headquarters, 1 Acuity Way, Decatur, GA 30035  
 www.americanelectricalighting.com Phone: 1-866-HOLOPHANE  
 Email: TechSupport-Lighting@AcuityBrands.com  
 © 2019-2026 Acuity Brands Lighting, Inc. All Rights Reserved. 245L Rev. 03/04/26

**Warranty** Five-year limited warranty. This is the only warranty provided and no other statements in this specification sheet create any warranty of any kind. All other express and implied warranties are disclaimed. Complete warranty terms located at: [www.acuitybrands.com/support/warranty/terms-and-conditions](http://www.acuitybrands.com/support/warranty/terms-and-conditions)

**Note:** Actual performance may differ as a result of end-user environment and application. All values are design or typical values, measured under laboratory conditions at 25 °C. Specifications subject to change without notice.

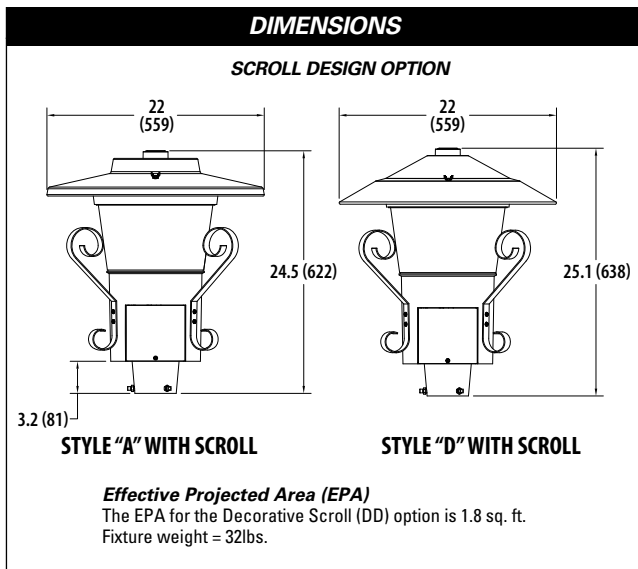
**Please contact your sales representative for the latest product information.**

# Contempo LED

## Series 245L

### OPTIONS MATRIX

245L		Voltage			Driver		Top Receptacle				Twist-Lock Photocontrols						Embedded Controls					Other
		MVOLT	HVOLT	XVOLT	ZT	D4I	NTR	PR3	PR7	ZRT	PCLL	PCSS	P34	P48	SH	DZP	ALCB	ALCC	ALCF	DDC	UBC	AO
Voltage	MVOLT				Y	Y	Y	Y	Y	Y	Y	Y	N	N	Y	Y	Y	Y	Y	Y	Y	Y
	HVOLT				Y	Y	Y	Y	Y	Y	N	N	Y	Y	Y	Y	Y	Y	Y	Y	Y	Y
	XVOLT				Y	Y	Y	Y	Y	Y	Y	Y	Y	Y	Y	Y	Y	Y	Y	Y	Y	Y
Driver	ZT	Y	Y	Y			Y	Y	Y	N	Y	Y	Y	Y	Y	N	N	N	N	N	N	
	D4I	Y	Y	Y			Y	N	Y	Y	Y	Y	Y	Y	Y	Y	Y	Y	Y	Y	N	
Top Receptacle	NTR	Y	Y	Y	Y	Y					N	N	N	N	N	Y	Y	Y	Y	Y	Y	
	PR3	Y	Y	Y	Y	N					Y	Y	Y	Y	Y	N	N	N	N	N	Y	
	PR7	Y	Y	Y	Y	Y					Y	Y	Y	Y	Y	N	N	N	N	N	Y	
	ZRT	Y	Y	Y	N	Y					N	N	N	N	N	Y	N	N	N	N	N	
Twist-Lock Photocontrols	PCLL	Y	N	Y	Y	Y	N	Y	Y	N							N	N	N	N	N	
	PCSS	Y	N	Y	Y	Y	N	Y	Y	N							N	N	N	N	Y	
	P34	N	Y	Y	Y	Y	N	Y	Y	N							N	N	N	N	Y	
	P48	N	Y	Y	Y	Y	N	Y	Y	N							N	N	N	N	Y	
	SH	Y	Y	Y	Y	Y	N	Y	Y	N							N	N	N	N	Y	
	DZP	Y	Y	Y	N	Y	N	N	N	Y							N	N	N	N	N	
Embedded Controls	ALCB	Y	Y	Y	N	Y	Y	N	N	N	N	N	N	N	N						N	
	ALCC	Y	Y	Y	N	Y	Y	N	N	N	N	N	N	N	N						N	
	ALCF	Y	Y	Y	N	Y	Y	N	N	N	N	N	N	N	N						N	
	DDC	Y	Y	Y	N	Y	Y	N	N	N	N	N	N	N	N						N	
	UBC	Y	Y	Y	N	Y	Y	N	N	N	N	N	N	N	N						N	
Other	AO	Y	Y	Y	Y	N	Y	Y	Y	N	Y	Y	Y	Y	Y	N	N	N	N	N	N	



All dimensions are inches (millimeters) unless otherwise noted.

245L		Driver/Voltage					
		MVOLT		HVOLT		XVOLT	
		ZT	D4I	ZT	D4I	ZT	D4I
Lumen Package	P101	Y	Y	N	Y	N	Y
	P102	Y	Y	Y	Y	N	Y
	P103	Y	Y	Y	Y	N	Y
	P104	Y	Y	Y	Y	N	Y
	P151	Y	Y	Y	Y	N	Y
	P152	Y	Y	Y	Y	N	Y
	P153	Y	Y	Y	Y	Y	Y
	P154	Y	Y	Y	Y	Y	Y
	P155	Y	Y	Y	N	N	N
	P201	Y	Y	Y	Y	Y	Y
	P202	Y	Y	Y	Y	Y	Y
	P300	Y	Y	Y	Y	N	Y
	P301	Y	Y	Y	Y	Y	Y
	P302	Y	Y	Y	Y	Y	Y
	P303	Y	Y	Y	Y	Y	Y



AEL Headquarters, 1 Acuity Way, Decatur, GA 30035  
 www.americanelectricleighting.com Phone: 1-866-HOLOPHANE  
 Email: TechSupport-Lighting@AcuityBrands.com  
 © 2019-2026 Acuity Brands Lighting, Inc. All Rights Reserved. 245L Rev. 03/04/26

**Warranty** Five-year limited warranty. This is the only warranty provided and no other statements in this specification sheet create any warranty of any kind. All other express and implied warranties are disclaimed. Complete warranty terms located at: [www.acuitybrands.com/support/warranty/terms-and-conditions](http://www.acuitybrands.com/support/warranty/terms-and-conditions)

**Note:** Actual performance may differ as a result of end-user environment and application. All values are design or typical values, measured under laboratory conditions at 25 °C. Specifications subject to change without notice.

Please contact your sales representative for the latest product information.

# Contempo LED

## Series 245L

### OPERATING CHARACTERISTICS

Performance Package	Wattage	CCT	RNA Optic					
			R2		R3		R5	
			Lumens	LPW	Lumens	LPW	Lumens	LPW
P101	20	2700K	2,134	107	2,184	109	2,546	127
		3000K	2,169	108	2,220	111	2,589	129
		4000K	2,317	116	2,372	119	2,765	138
P102	30	2700K	2,890	96	2,957	99	3,448	115
		3000K	2,938	98	3,006	100	3,506	117
		4000K	3,138	105	3,212	107	3,745	125
P103	40	2700K	3,711	93	3,798	95	4,428	111
		3000K	3,773	94	3,861	97	4,502	113
		4000K	4,030	101	4,124	103	4,809	120
P104	49	2700K	4,408	90	4,511	92	5,260	107
		3000K	4,481	91	4,586	94	5,347	109
		4000K	4,787	98	4,899	100	5,712	117
P151	30	2700K	3,257	109	3,333	111	3,886	130
		3000K	3,311	110	3,388	113	3,951	132
		4000K	3,537	118	3,620	121	4,220	141
P152	40	2700K	3,952	99	4,045	101	4,716	118
		3000K	4,018	100	4,112	103	4,794	120
		4000K	4,292	107	4,392	110	5,122	128
P153	50	2700K	4,776	96	4,888	98	5,700	114
		3000K	4,856	97	4,969	99	5,794	116
		4000K	5,187	104	5,308	106	6,190	124
P154	60	2700K	5,522	92	5,651	94	6,589	110
		3000K	5,614	94	5,745	96	6,699	112
		4000K	5,997	100	6,137	102	7,156	119
P155	70	2700K	6,263	89	6,409	92	7,473	107
		3000K	6,366	91	6,515	93	7,597	109
		4000K	6,801	97	6,960	99	8,115	116
P201	70	2700K	6,774	97	6,932	99	8,083	115
		3000K	6,886	98	7,048	101	8,218	117
		4000K	7,357	105	7,529	108	8,778	125
P202	80	2700K	7,431	93	7,605	95	8,868	111
		3000K	7,555	94	7,731	97	9,015	113
		4000K	8,070	101	8,259	103	9,630	120
P300	41	2700K	4,396	107	4,499	110	5,245	128
		3000K	4,469	109	4,573	112	5,332	130
		4000K	4,774	116	4,885	119	5,696	139
P301	60	2700K	6,402	107	6,552	109	7,639	127
		3000K	6,508	108	6,660	111	7,766	129
		4000K	6,952	116	7,115	119	8,296	138
P302	70	2700K	7,151	102	7,318	105	8,533	122
		3000K	7,270	104	7,440	106	8,675	124
		4000K	7,766	111	7,947	114	9,267	132
P303	80	2700K	7,888	99	8,073	101	9,413	118
		3000K	8,019	100	8,207	103	9,569	120
		4000K	8,566	107	8,767	110	10,222	128

Optic	Lumen Multiplier
RNA	1
RNP	0.98
GL	0.86
AY	0.8
PY	0.72



AEL Headquarters, 1 Acuity Way, Decatur, GA 30035  
 www.americanelectricalighting.com Phone: 1-866-HOLOPHANE  
 Email: TechSupport-Lighting@AcuityBrands.com  
 © 2019-2026 Acuity Brands Lighting, Inc. All Rights Reserved. 245L Rev. 03/04/26

**Warranty** Five-year limited warranty. This is the only warranty provided and no other statements in this specification sheet create any warranty of any kind. All other express and implied warranties are disclaimed. Complete warranty terms located at: [www.acuitybrands.com/support/warranty/terms-and-conditions](http://www.acuitybrands.com/support/warranty/terms-and-conditions)

**Note:** Actual performance may differ as a result of end-user environment and application. All values are design or typical values, measured under laboratory conditions at 25 °C. Specifications subject to change without notice.

**Please contact your sales representative for the latest product information.**

# Contempo LED

## Series 245L

### PROJECTED LED LUMEN MAINTENANCE

Data references the extrapolated performance projections for the platforms noted in a 25°C ambient, based on 6,000 hours of LED testing (tested per IESNA LM-80-08 and projected per IESNA TM-21-11). For other lumen maintenance values, contact factory.

LED Lumen Maintenance							
Performance Package	Initial	25k hours	36k hours	50k hours	60k hours	75k hours	100k hours
P101, P102, P151, P300	1.00	0.96	0.94	0.92	0.90	0.88	0.85
P103, P152	1.00	0.95	0.93	0.91	0.90	0.87	0.84
P153, P301, P302	1.00	0.95	0.93	0.91	0.89	0.87	0.83
P104, P154, P201, P303	1.00	0.95	0.93	0.90	0.89	0.86	0.82
P155, P202	1.00	0.94	0.92	0.89	0.88	0.85	0.80

### LUMEN AMBIENT TEMPERATURE (LAT) MULTIPLIERS

Use these factors to determine relative lumen output for average ambient temperatures from 0-40°C (32-104°F).

Luminaire Ambient Temperature (LAT) Multiplier								
0°C	5°C	10°C	15°C	20°C	25°C	30°C	35°C	40°C
1.04	1.03	1.02	1.02	1.01	1.00	0.99	0.98	0.97

### D4i Driver Option Defaults

Setting	Top Receptacle / Photocontrol	Default Value	Alternate Values
DALI Power Bus	NTR	ON	Off
	ALCB / ALCF / ALCC	ON	none
	DDC	ON	none
	PR7	OFF	On
	ZRT	ON	Off
	DZP	ON	Off
Dimming Type	Any	LINEAR	Logarithmic
24V AUX	Any	ON (Not Connected)	none
Scenes Data	Any	0 (blank)	01-255

\*To program different settings, consult factory; RFD is required

